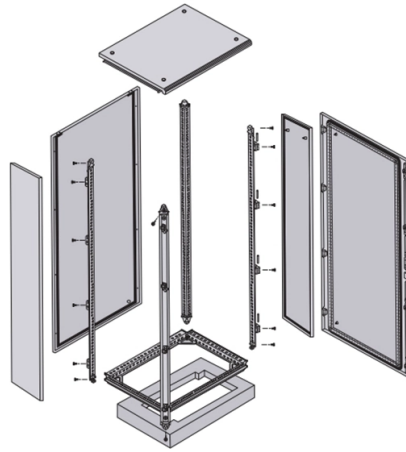


Rack-mounted network relays



Overview

A relay rack, also called an open rack, open-bay rack, server rack, telco rack, data rack, or networking rack, is a steel or aluminum frame used to mount communications and networking equipment such as interconnect patch panel. A relay rack, also called an open rack, open-bay rack, server rack, telco rack, data rack, or networking rack, is a steel or aluminum frame used to mount communications and networking equipment such as interconnect patch panels, switches, and servers. The upright posts have mounting holes at standard spacing. Two-post racks are the most affordable;. Unlike a cabinet rack, which is enclosed, a relay rack is completely open, allowing for air ventilation and easy access. Commonly the two-post racks are called relay racks, although some people refer to any open rack (including four-post racks) as relay racks. The first consideration of buying a relay rack is the choice between two-posts and four-posts. Four posts may be preferred for mounting large servers and for large-scale applications where multiple mounting points is critical. Not surprisingly, a four-post rack is roughly twice the cost. Another consideration is shipping and handling. Many relay ra.

Article Content

IT Racks and Accessories

APC NetShelter Open Frame Racks Open rack system for easy access to IT equipment and cabling. Cost-effective rack-mounting from the most trusted rack manufacturer APC for networking switches, ...

Open Relay Racks

Get a secure relay rack for your networking & communications equipment. Shop welded steel or aluminum open relay racks. [Click here.](#)

Server Racks

Store your server or networking equipment in these server racks and cabinets in free-standing and wall-mount options and open and closed designs.

Relay Rack and Cabinets

Relay Racks and Cabinets provide a secure area for installing interconnect patch panels, switches, transceivers, and cabling. Floor or wall mounted relay racks typically are offered in 2 or 4 post ...

Amazon : Rackmount Network Switch

Browse a wide range of rackmount switches with energy-efficient technology. Save power while maintaining maximum network throughput and reliability.

Relay Racks

A relay rack, also known as a server rack or network rack, is a customizable, fire-rated steel or aluminum frame used to store and organize networking and communications equipment such as computers, ...

2-Post Network Relay Rack 25U Steel M6 Rails

Mount routers, patch panels, switches and other network equipment with our 25u 2-post open frame network relay racks.

Two Post Relay Racks

Shop durable 2-post relay racks at Server Racks Online, perfect for networking and telecom equipment. Explore adjustable, lightweight, and cost-effective options from top brands to optimize your IT setup.

Amazon : Relay Rack

RackPath 12U Open Frame Network Rack with 2X 14in Vented 1U Shelves Rear Support, Wall Mount/Floor Standing Network Cabinet, Heavy Duty 150 lbs Capacity for IT & AV Gear, Audio and ...

Relay racks

Discover our selection of Relay racks. Our product experts are here to assist you. Get in touch with our team now.

Contact Us

For more information, pricing, or custom solutions, please contact us:

Website: <https://www.automationauthoritiesolar.co.za>

Email: info@automationauthoritiesolar.co.za

Phone: +27 82 547 3961

Address: 15 Quantum Street, Technopark, Centurion, 0157, South Africa

This document is for informational purposes only. Specifications subject to change without notice.

